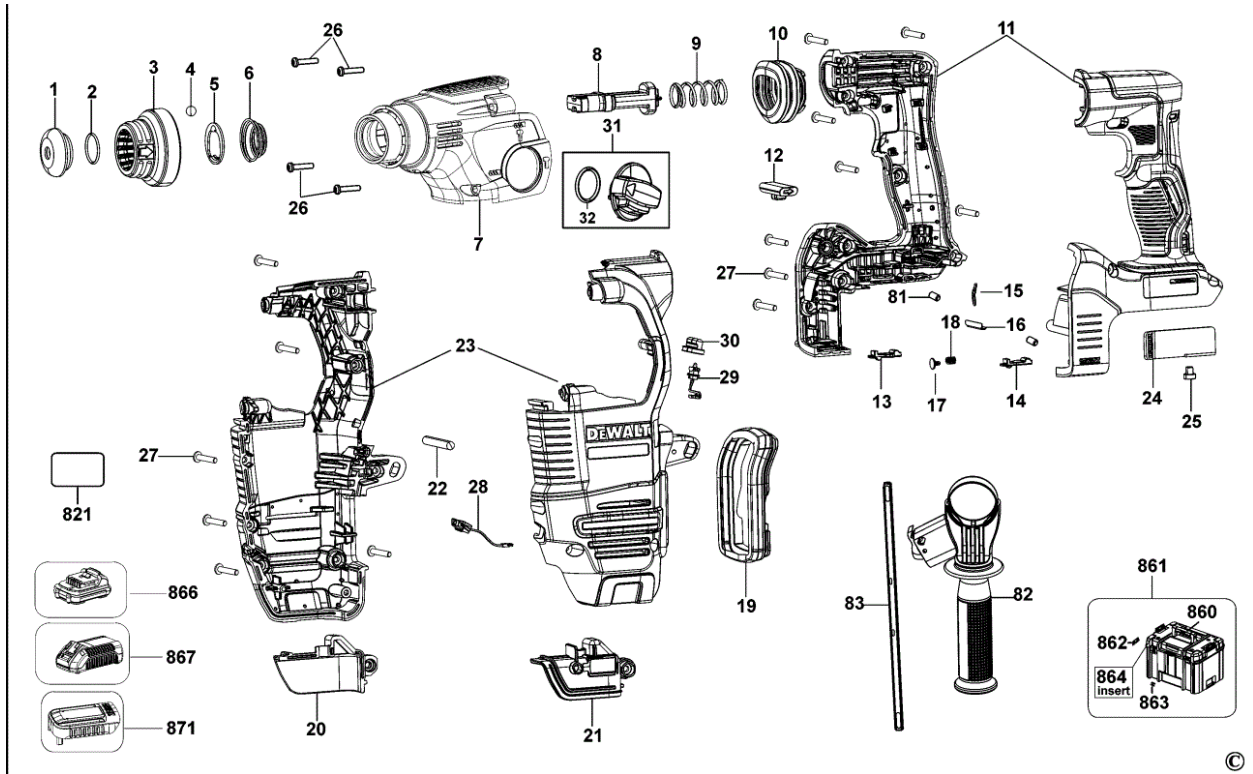
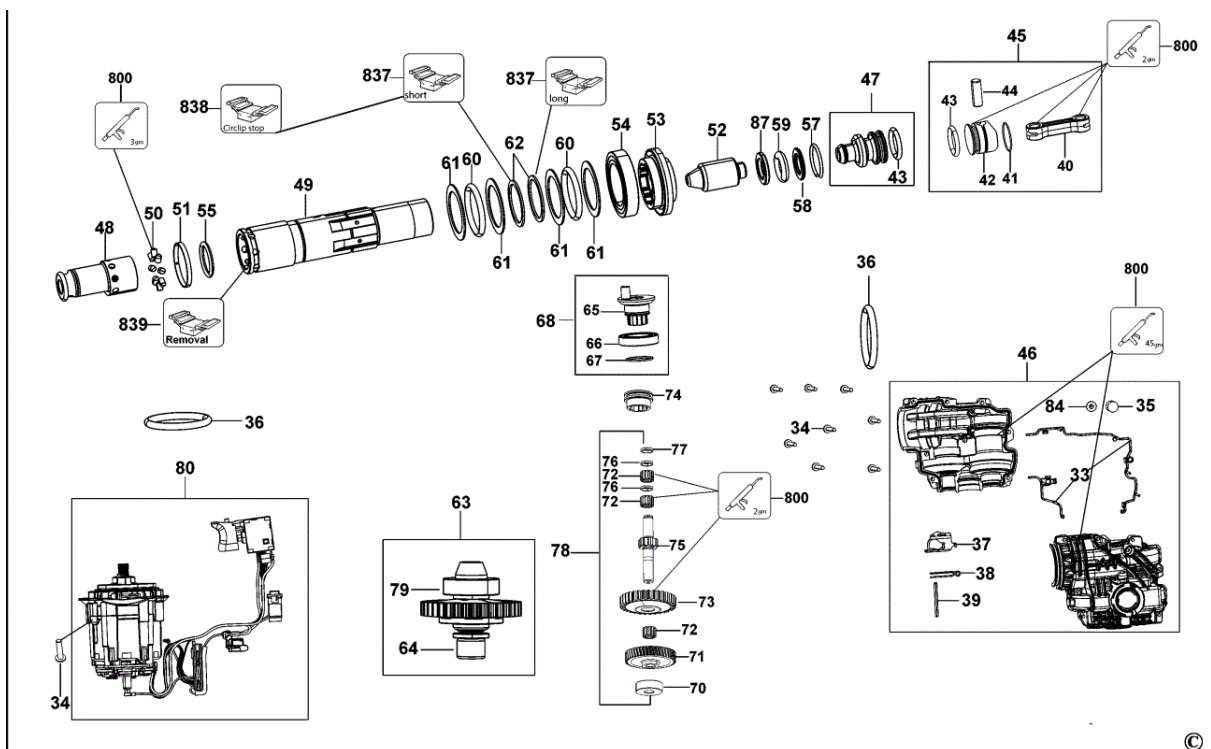


# Part Lists & Sheme Cordless rotary hammer, 54.0 V, 3.0 Ah, DEWALT DCH333X2

## Main unit:



## Gear box:



## Part Lists & Sheme Cordless rotary hammer, 54.0 V, 3.0 Ah, DEWALT DCH333X2

Item No.	Product Number	Qty Per	Product Description	Type	Other Info
1	<a href="#">323489-00</a>	1	CAP		
2	<a href="#">579212-00</a>	1	RING		
3	<a href="#">N038727</a>	1	TUBE		
4	<a href="#">583890-00</a>	1	BALL 7MM		
5	<a href="#">578387-00</a>	1	WASHER		
6	<a href="#">871690</a>	1	SPRING		
7	<a href="#">N450573</a>	1	HOUSING FRONT		
8	<a href="#">N152623</a>	1	STOP		
9	<a href="#">N106188</a>	1	SPRING COMPRESSION		
10	<a href="#">N106221-01</a>	1	BELLOWS		
11	<a href="#">N466894</a>	1	HANDLE SA		
12	<a href="#">N431292</a>	1	BAR		F/R
13	<a href="#">N438439</a>	1	INSERT		ANTI VIB INSERT ASS
14	<a href="#">N438438</a>	1	INSERT		ANTI VIB COVER
15	<a href="#">N400082</a>	1	SPRING		
16	<a href="#">N094649</a>	1	PLATE		
17	<a href="#">N122099</a>	1	BLOCK		
18	<a href="#">N119679</a>	1	SPRING		
19	<a href="#">N427167</a>	1	BELLOWS		
20	<a href="#">N461796</a>	1	END CAP		
21	<a href="#">N461797</a>	1	END CAP		
22	<a href="#">N159443</a>	1	AXIS		
23	<a href="#">N466997</a>	1	MOTOR HOUSING SA		
24	<a href="#">N461541</a>	1	HOOK		Belt
25	<a href="#">N400130</a>	1	SCREW		M5x8
26	<a href="#">330019-20</a>	4	SCREW		
27	<a href="#">330019-80</a>	17	SCREW		M4.06x18
28	<a href="#">N445349</a>	1	LED LIGHT		
29	<a href="#">N452980</a>	1	INDICATOR		
30	<a href="#">656183-00</a>	1	LENS		
31	<a href="#">N267567</a>	1	SELECTOR SA		
32	<a href="#">N091381-00</a>	1	O RING		18 X 2 BLACK
33	<a href="#">N433272</a>	1	SEAL SA		
34	<a href="#">324006-15</a>	12	SCREW		M4 X 20 ANU-LOCK
35	<a href="#">N038257</a>	1	FELT		

Item No.	Product Number	Qty Per	Product Description	Type	Other Info
36	<a href="#">N423558</a>	2	O RING	O-RING 43x3.5	
37	<a href="#">N431392</a>	1	PLATE	Switch	
38	<a href="#">1005795-00</a>	1	SPRING		
39	<a href="#">N433763</a>	1	PIN		
40	<a href="#">N390874</a>	1	CON ROD		
41	<a href="#">N415558</a>	1	O RING	19x1	
42	<a href="#">N388972</a>	1	PISTON		
43	<a href="#">N394408</a>	2	O RING	17x3	
44	<a href="#">N123257</a>	1	PIN		
45	<a href="#">N505552</a>	1	PISTON KIT		
48	<a href="#">N463250</a>	1	SPINDLE		
49	<a href="#">N463705</a>	1	SPINDLE	SDS 3kg	
50	<a href="#">N468472</a>	8	PIN	4X6	
51	<a href="#">N467014</a>	1	RETAINER		
52	<a href="#">N459693</a>	1	BEAT PIECE		
53	<a href="#">N406771</a>	1	BEVEL GEAR		
54	<a href="#">479478-00</a>	1	BEARING,BALL	6906	
55	<a href="#">N412167</a>	1	O RING	20x3	
57	<a href="#">N413186</a>	1	CIRCLIP	23x2	
58	<a href="#">N478906</a>	1	WASHER	14mm	
59	<a href="#">N412168</a>	1	O RING	12x5	
60	<a href="#">N421627</a>	2	O RING	30X4	
61	<a href="#">N395027</a>	4	WASHER		30mm
62	<a href="#">N422601</a>	2	CIRCLIP		
63	<a href="#">N505554</a>	1	INTERSHAFT SA		
64	<a href="#">330004-06</a>	1	BEARING NEEDLE		
65	<a href="#">N452829</a>	1	CRANKSHAFT		
66	<a href="#">N427179</a>	1	BEARING		
67	<a href="#">N453028</a>	1	CLIP		
68	<a href="#">N505555</a>	1	CRANKSHAFT	3KG	
70	<a href="#">N110358</a>	1	BEARING 608	8x22x7 C3	
71	<a href="#">N411262</a>	1	GEAR		
72	<a href="#">N427177</a>	3	BEARING CAGE		
73	<a href="#">N430679</a>	1	GEAR		
74	<a href="#">N264669</a>	1	COLLAR		
75	<a href="#">N411264</a>	1	SHAFT		
76	<a href="#">N433668</a>	2	BUSH		
77	<a href="#">323763-10</a>	1	LOCKING RING	8	
78	<a href="#">N505556</a>	1	TRANSMISSION ASSEMBLY		
79	<a href="#">330003-64</a>	1	BEARING	12 x 28 x 8 - 6001RS	

<b>Item No.</b>	<b>Product Number</b>	<b>Qty Per</b>	<b>Product Description</b>	<b>Type</b>	<b>Other Info</b>
80	<a href="#">N506028</a>	1	MOTOR & SWITCH SA	+ Module	
80	<a href="#">N506028</a>	1	MOTOR & SWITCH SA	+ Module	
81	<a href="#">N186764</a>	2	RUBBER PAD		
82	<a href="#">N413662</a>	1	HANDLE SIDE SA		
83	<a href="#">798846-02</a>	1	DEPTH STOP		
84	<a href="#">N374339</a>	1	INSERT		
85	<a href="#">N487261</a>	1	BRAND LABEL	XR PLEXVOLT LH	
86	<a href="#">N487262</a>	1	BRAND LABEL	XR PLEXVOLT RH	
87	<a href="#">N388939</a>	1	WASHER	14mm	
800	<a href="#">578970-04</a>	1	GREASE 80 GMS	GLK 249 NLGI 00	
821	<a href="#">N491324</a>	1	RATING LABEL		
821	<a href="#">N491324</a>	1	RATING LABEL		
837	<a href="#">1003968-99</a>	1	S.T.CIRCLIP INSERTER	3KG	Long
837	<a href="#">1003969-99</a>	1	S.T.CIRCLIP INSERTER	3KG	Short
838	<a href="#">1003967-99</a>	1	S.T.CIRCLIP INSERTER	3KG	Limit Stop
839	<a href="#">1003970-99</a>	1	S.T.DIS-ASSEMBLY JIG	3KG	Removal Piston + Ram
860	<a href="#">H1400196008</a>	1	HANDLE		
861	<a href="#">N445186</a>	1	KITBOX	TSTAK VI	DCH333NT
862	<a href="#">H1500082520</a>	2	LATCH		
863	<a href="#">P910190</a>	2	LATCH		
864	<a href="#">N493397</a>	1	INSERT	T-STACK	DCH333NT
866	<a href="#">N473851</a>	1	BATTERY 3 X18V-6.0AH-108WH	Li-Ion - DCB546-XJ	
866	<a href="#">N491552</a>	1	BATTERY 3 X18V-9.0AH-162WH	DCB547-XJ	DCH333X2
867	<a href="#">N473855</a>	1	CHARGER GB	DCB118-GB	
871	<a href="#">N462141</a>	1	SAFETY CAP	EURO	